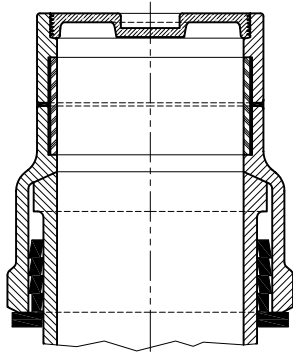
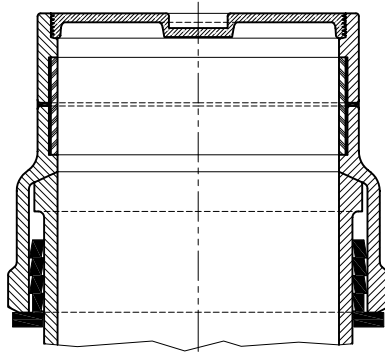


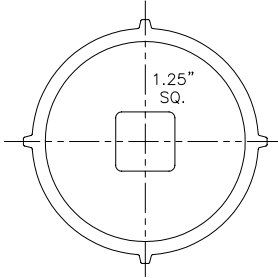
	4"	6"
Max. O.D.	6 $\frac{1}{4}$ "	8"
Overall Length	5 $\frac{1}{2}$ "	5 $\frac{1}{4}$ "
Brass Lid Size (Iron Pipe Threads)	3 $\frac{1}{2}$ "	5 $\frac{1}{2}$ "
Brass Lid O.D.	3 $\frac{7}{8}$ "	6"



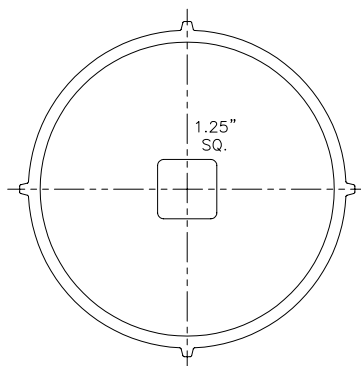
VIEW 1



VIEW 1



VIEW 2



VIEW 2

**Model "COSV" Gasketed Bell - SV C.I.**

**GENECO<sup>®</sup> Sewer Lateral Cleanout**



**THE GENERAL ENGINEERING COMPANY**

P.O. Box 609, Frederick, MD 21705-0609  
 (301)663-9282 • (800)345-6454 • FAX: (301) 695-5612

DWG.NO.

**COSV**